

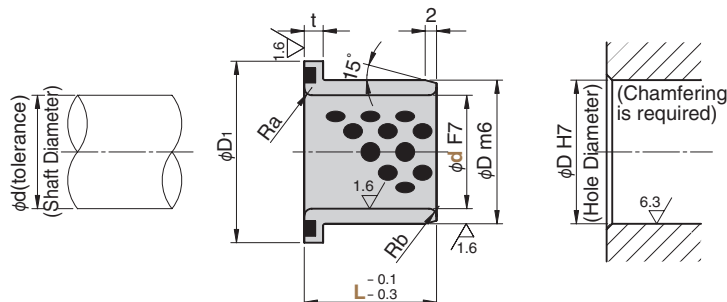
Oilless Thrust Bush

Copper Alloy I.D.
F7 · O.D. m6 Type

SO#50SP2



SOBB



● Sliding Direction



● Mating post tolerance

d8 : General use (high load)
e7 : General use (light load)
f7 : High precision

● Other operating conditions and characteristics

- Can be used in the atmosphere and fresh water (on condition).
- Good performance in operation under high load and at low speed.

⚠ When the product is used at high temperature (150 °C or more), the embedding specification of solid lubricant is different. Please contact us for details.

Material Base Copper alloy (SO-2)
Solid lubricant (GR-1)

■ Operation Range

Lubricant Type	Lubricating Condition	Environment Condition	Max. Allowable Load P N/mm ²	Max. Allowable Sliding Speed V m/min	Max. Allowable PV value N/mm ² · m/min	Operation Range Temperature °C
GR-1	No lubrication	Atmosphere	100	15	150	-50 ~ +300
	Regular lubrication (Grease)			30	200	-50 ~ +150

■ Physical Properties

Specific Gravity	Hardness HB	Elongation %	Tensile Strength N/mm ²	Linear Expansion Coefficient × 10 ⁻⁵ /°C
7.9	210 or more	12 or more	755 or more	1.9

d F7	D m6	D1	t	Ra	Rb	Catalog No.	d	L
12	18	25	4		1	SOBB	12	15
16	22	30					16	20
20	28	36					20	25
25	33	43	5	2			25	30
30	38	48			2		30	35
40	50	60					40	45
50	62	75	6				50	55
60	75	90	7	3			60	65



Order

Catalog No.

SOBB

d

20

—

L

25

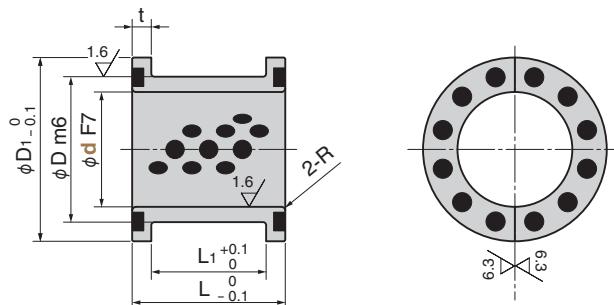
Oilless Thrust Bush

Copper Alloy
Split Type

SO#50SP2



SOBBD



▲ Solid lubricant is not through only for $d=50$.

- Sliding Direction (in case housing hole H7)
- Inner diameter tolerance Before press-fit: F7 After press-fit: H7
- Mating post tolerance
 - Tolerance e7 : General use (light load) f7 : High precision
 - Surface roughness Ra 0.2~0.8 μ m
 - Hardness Over tempering
- Other operating conditions and characteristics
 - Can be used in the atmosphere and fresh water (on condition).
 - Good performance in operation under high load and at low speed.

▲ When the product is used at high temperature (150 °C or more), the embedding specification of solid lubricant is different. Please contact us for details.

Material Base Copper alloy (SO-2)
Solid lubricant (GR-1)

Operation Range

Lubricant Type	Lubricating Condition	Environment Condition	Max. Allowable Load P N/mm ²	Max. Allowable Sliding Speed V m/min	Max. Allowable PV value N/mm ² · m/min	Operation Range Temperature °C
GR-1	No lubrication	Atmosphere	100	15	150	-50 ~ +300
	Regular lubrication (Grease)			30	200	-50 ~ +150

Physical Properties

Specific Gravity	Hardness HB	Elongation %	Tensile Strength N/mm ²	Linear Expansion Coefficient $\times 10^{-5}/^{\circ}\text{C}$
7.9	210 or more	12 or more	755 or more	1.9

d F7	D m6	D ₁	L ₁	L	t	R	Catalog No.	d
20		28	+0.021 +0.008	35	20	28		20
25	+0.041 +0.021	33		40	25	33		25
30		38	+0.025 +0.009	48	30	40	SOBBD	30
40	+0.050 +0.025	50		60	40	50		40
50		62	+0.030 +0.011	68	50	60		50



Order

Catalog No.

SOBBD

D

25